



taavi



black: color code BL



cloud: color code CW



gladys



leaf: color code LG



apple: color code AR



silo



driftwood: color code DW



navy blue: color code NB

charcoal: color code CG

pair with:
sofia side table



collection:
salmela
material:
100% recycled
HDPE



flat pack shipped
some assembly required



sky: color code SB



sunset: color code OR




taavi

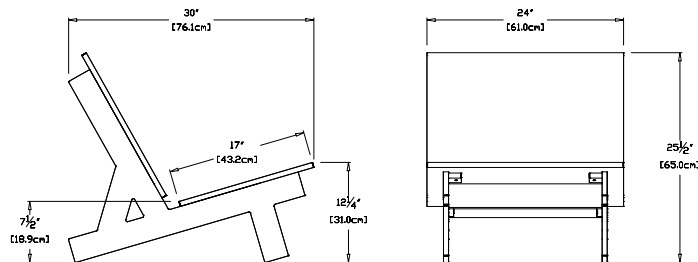


SKU: SC-TA-(color code)

dimensions:
width: 24" (61.0cm)
depth: 30" (76.1cm)
height: 25.5" (65.0cm)

weight:
32 lbs (14.5kg)

 **256**
reclaimed
milk jugs



shipping dimensions: 30" x 6" x 30"
shipping weight: 43 lbs (19.5kg)

gladys

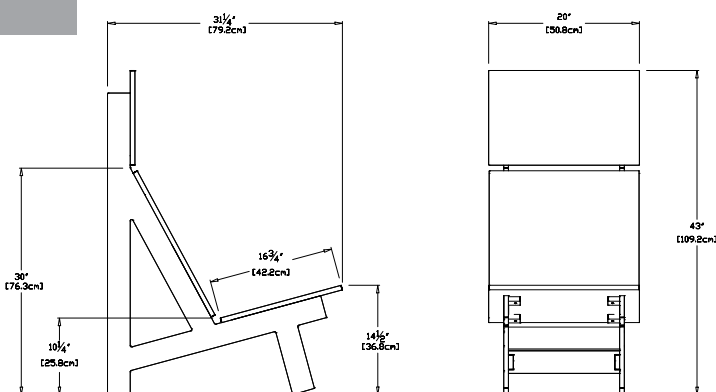


SKU: SC-GL-(color code)

dimensions:
width: 20" (50.8cm)
depth: 31.25" (79.2cm)
height: 43" (109.2cm)

weight:
41 lbs (18.6kg)

 **328**
reclaimed
milk jugs



shipping dimensions: 46" x 6" x 35"
shipping weight: 45 lbs (20.4kg)


silo

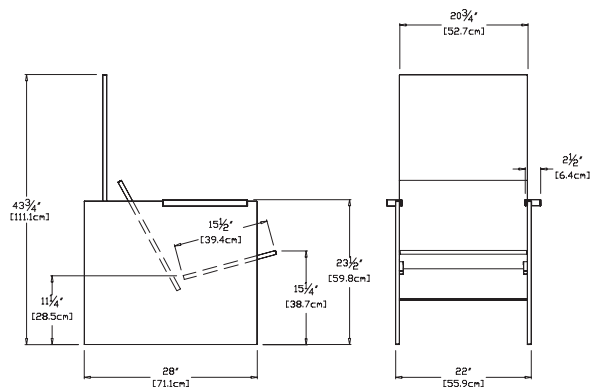


SKU: SC-SI-(color code)

dimensions:
width: 22" (55.9cm)
depth: 28" (71.1cm)
height: 27.5" (111.1cm)

weight:
67 lbs (30.4kg)

 **536**
reclaimed
milk jugs



shipping dimensions: 28" x 5.5" x 38"
shipping weight: 71 lbs (32.2kg)



charcoal: SC-LU-CG



black: SA-LU-BL



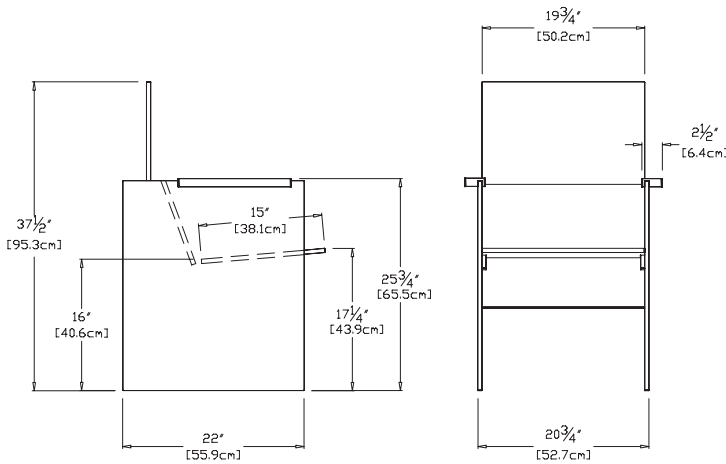
cloud: SA-LU-CW



leaf: SC-LU-LG



apple red: SC-LU-AR



driftwood: SC-LU-DW



navy blue: SC-LU-NB



sky: SC-LU-SB



sunset: SC-LU-OR

collection: Salmela

material: 100% recycled HDPE

dimensions: width: 20.75" (52.7cm)
depth: 22" (55.9cm)
height: 37.5" (95.3cm)

weight: 44 lbs (20.0 kg)



352
reclaimed
milk jugs

shipping dimensions: 28" x 4" x 24"
shipping weight: 47 lbs (21.3kg)



flat pack shipped
some assembly required





charcoal: SC-EM-CG



black: SC-EM-BL



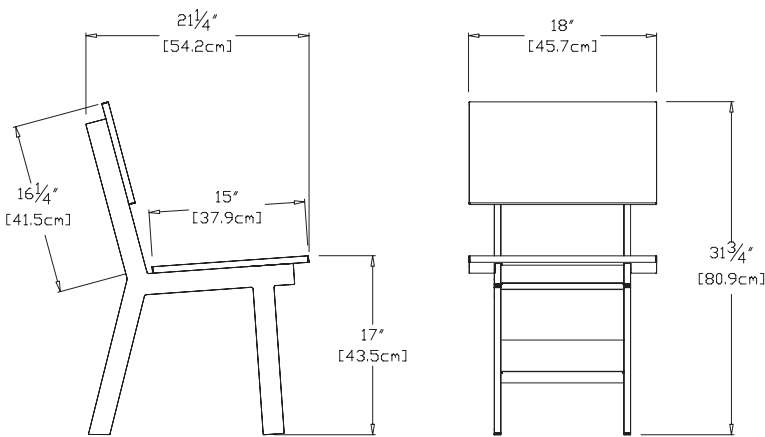
cloud: SC-EM-CW



leaf: SC-EM-LG



apple red: SC-EM-AR



driftwood: SC-EM-DW



navy blue: SC-EM-NB



sky: SC-EM-SB



sunset: SC-EM-OR

collection: Salmela

material: 100% recycled HDPE

dimensions: width: 18" (45.7cm)
depth: 21.25" (54.2cm)
height: 31.75" (80.9cm)

weight: 17 lbs (7.7 kg)



136
reclaimed
milk jugs

shipping dimensions: 30" x 20" x 6"
shipping weight: 21 lbs (9.5kg)



flat pack shipped
some assembly required





charcoal: SC-EM-CG



black: SC-EM-BL



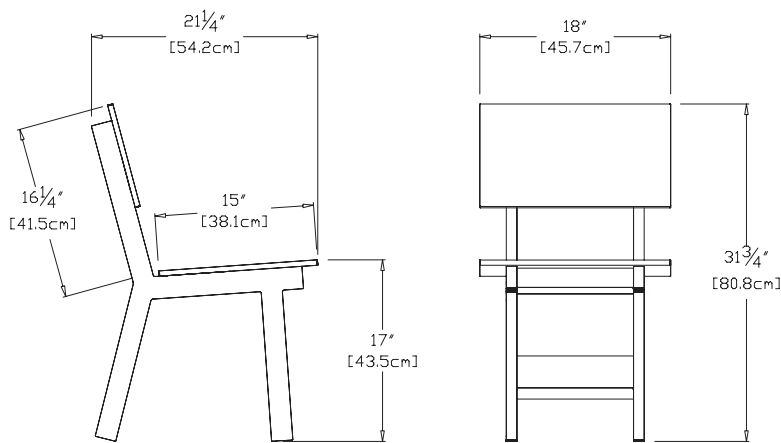
cloud: SC-EM-CW



leaf: SC-EM-LG



apple red: SC-EM-AR



driftwood: SC-EM-DW



navy blue: SC-EM-NB



sky: SC-EM-SB



sunset: SC-EM-OR

collection: Salmela

material: 100% recycled HDPE

dimensions: width: 18" (45.7cm)
depth: 21.25" (54.2cm)
height: 31.75" (80.8cm)

weight: 19 lbs (8.6 kg)



152
reclaimed
milk jugs

shipping dimensions: 30" x 20" x 6"
shipping weight: 23 lbs (10.4kg)



flat pack shipped
some assembly required





charcoal: SC-LB-CG



black: SC-LB-BL



cloud: SC-LB-CW



leaf: SC-LB-LG



apple red: SC-LB-AR



driftwood: SC-LB-DW



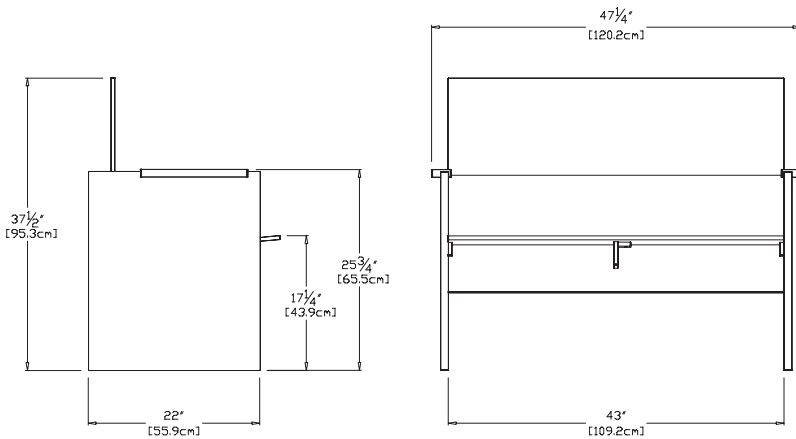
navy blue: SC-LB-NB



sky: SC-LB-SB



sunset: SC-LB-OR



collection: Salmela

material: 100% recycled HDPE

dimensions: width: 47.25" (120.2cm)
depth: 22" (55.9cm)
height: 37.5" (95.3cm)

weight: 88 lbs (39.9 kg)



704
reclaimed
milk jugs

shipping dimensions: 30" x 4" x 48"
shipping weight: 93.5 lbs (42.4kg)



flat pack shipped
some assembly required





charcoal: SC-HB48-CG



black: SC-HB48-BL



cloud: SC-HB48-CW



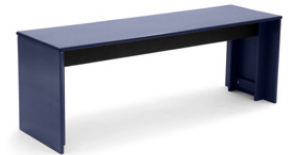
leaf: SC-HB48-LG



apple red: SC-HB48-AR



driftwood: SC-HB48-DW



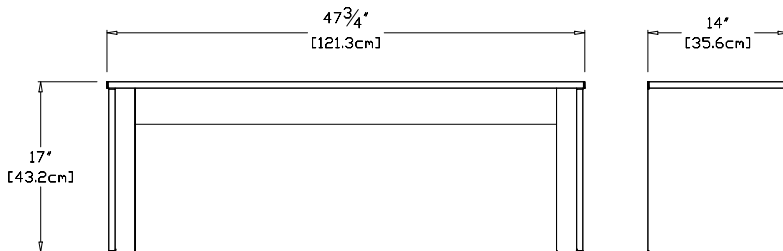
navy blue: SC-HB48-NB



sky: SC-HB48-SB



sunset: SC-HB48-OR



collection: Salmela

material: 100% recycled HDPE

dimensions: width: 47.75" (121.3cm)
depth: 14" (35.6cm)
height: 18" (45.7cm)

weight: 37 lbs (16.8 kg)



168
reclaimed
milk jugs

shipping dimensions: 18" x 4" x 48"
shipping weight: 40 lbs (18.1kg)



flat pack shipped
some assembly required

