



charcoal: LC-LL-CG



black: LC-LL-BL



cloud: LC-LL-CW



leaf: LC-LL-LG



apple red: LC-LL-AR



driftwood: LC-LL-DW



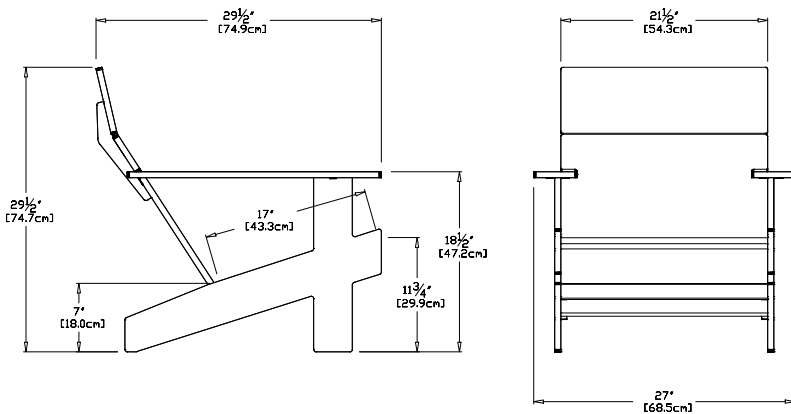
navy blue: LC-LL-NB



sky: LC-LL-SB



sunset: LC-LL-OR



collection: lollygagger

material: 100% recycled HDPE

dimensions: width: 27" (68.5cm)
depth: 29.5" (74.9cm)
height: 29.5" (74.7cm)

weight: 37 lbs (16.8kg)



296
reclaimed
milk jugs

shipping dimensions: 28" x 4" x 24"
shipping weight: 42 lbs (19.1kg)



flat pack shipped
some assembly required





charcoal: LC-LLT-CG



black: LC-LLT-BL



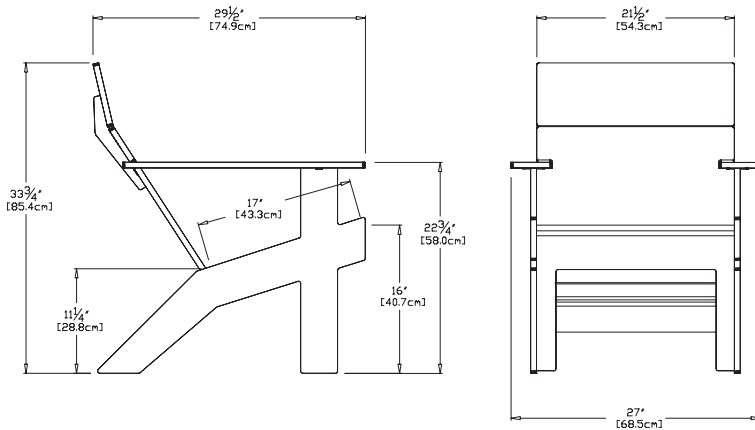
cloud: LC-LLT-CW



leaf: LC-LLT-LG



apple red: LC-LLT-AR



driftwood: LC-LLT-DW



navy blue: LC-LLT-NB



sky: LC-LLT-SB



sunset: LC-LLT-OR

collection: lollygagger
material: 100% recycled HDPE
dimensions: width: 27" (68.5cm)
 depth: 29.5" (74.9cm)
 height: 33.75" (85.4cm)
weight: 42 lbs (19.1kg)



336
 reclaimed
 milk jugs

shipping dimensions: 30" x 5" x 24"
shipping weight: 45 lbs (20.4kg)



flat pack shipped
 some assembly required





charcoal: LC-LLR-CG



black: LC-LLR-BL



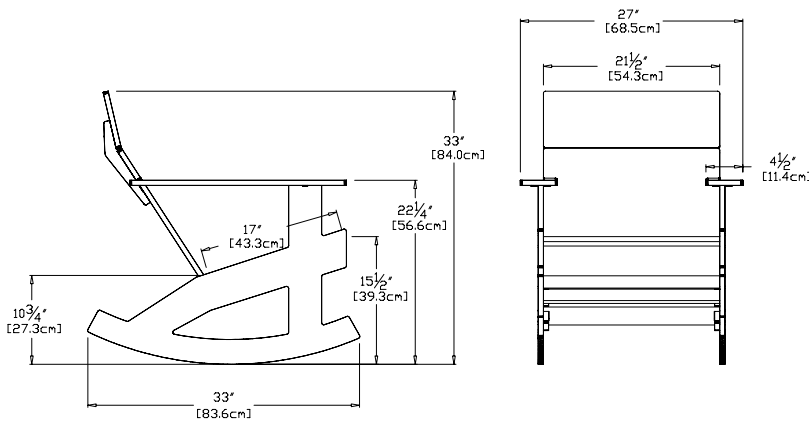
cloud: LC-LLR-CW



leaf: LC-LLR-LG



apple red: LC-LLR-AR



driftwood: LC-LLR-DW



navy blue: LC-LLR-NB



sky: LC-LLR-SB



sunset: LC-LLR-OR

collection: lollygagger

material: 100% recycled HDPE

dimensions: width: 27" (68.5cm)
depth: 33" (83.6cm)
height: 33" (84.0cm)

weight: 43.0 lbs (19.5kg)



344
reclaimed
milk jugs

shipping dimensions: 28.5" x 4.5" x 34"
shipping weight: 47 lbs (21.3kg)



flat pack shipped
some assembly required





charcoal: LC-LLS-CG



black: LC-LLS-BL



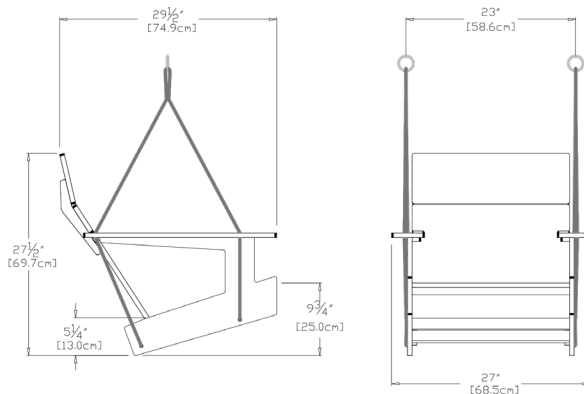
cloud: LC-LLS-CW



leaf: LC-LLS-LG



apple red: LC-LLS-AR



driftwood: LC-LLS-DW



navy blue: LC-LLS-NB



sky: LC-LLS-SB



sunset: LC-LLS-OR

collection: lollygagger

material: recycled HDPE

dimensions: width: 27" (68.6cm)
depth: 29.5" (74.9cm)
height: 27.5" (69.9cm)

weight: 38.5 lbs (19.1kg)

also available as porch swing.



shipping dimensions: 29" x 6" x 30"
shipping weight: 43 lbs (19.5kg)



flat pack shipped
some assembly required





charcoal: KD-LL-CG



black: KD-LL-BL



cloud: KD-LL-CW



leaf: KD-LL-LG



apple red: KD-LL-AR



driftwood: KD-LL-DW



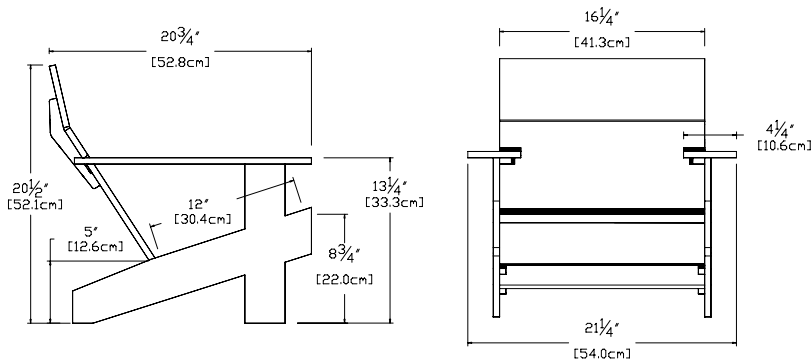
navy blue: KD-LL-NB



sky: KD-LL-SB



sunset: KD-LL-OR



collection: kids
material: 100% recycled HDPE
dimensions: width: 21.25" (54.0cm)
depth: 20.75" (52.8cm)
height: 20.5" (52.1cm)
weight: 17 lbs (7.7kg)



136
reclaimed
milk jugs

shipping dimensions: 24.5" x 16.5" x 4.5"
shipping weight: 19 lbs (8.6kg)



flat pack shipped
some assembly required

