



FORMAMINIMA

/TECHNICAL
SPECIFICATIONS
-
THE
CHANDELIER
SERIES

LAMP
/ONE

WOOD DUET
CHANDELIER

L1-S-WW-C2

Indoor decorative lighting, handmade in Italy

Materials:

Body lamps: handcrafted solid Canaletto walnut wood, matt oil finish
Crystal diffusers, Limoges biscuit-finish porcelain sheets
Ceiling rose of solid brass, satin matt finish

Dimensions:

h 680 (adjustable) x 300 x 300 mm
Ceiling rose: h 30 300 x 300 mm

Made to order



www.formaminima.com
info.formaminima@gmail.com
Trieste, Italy



FORMAMINIMA

/TECHNICAL
SPECIFICATIONS

-
THE
CHANDELIER
SERIES

LAMP
/ONE

WOOD DUET
CHANDELIER

L1-S-WW-C2

Light source supplied per lamp:

LED 1xG9 max 2.6W, 50-60Hz
G9 connection 320lm 2700K Rc 80

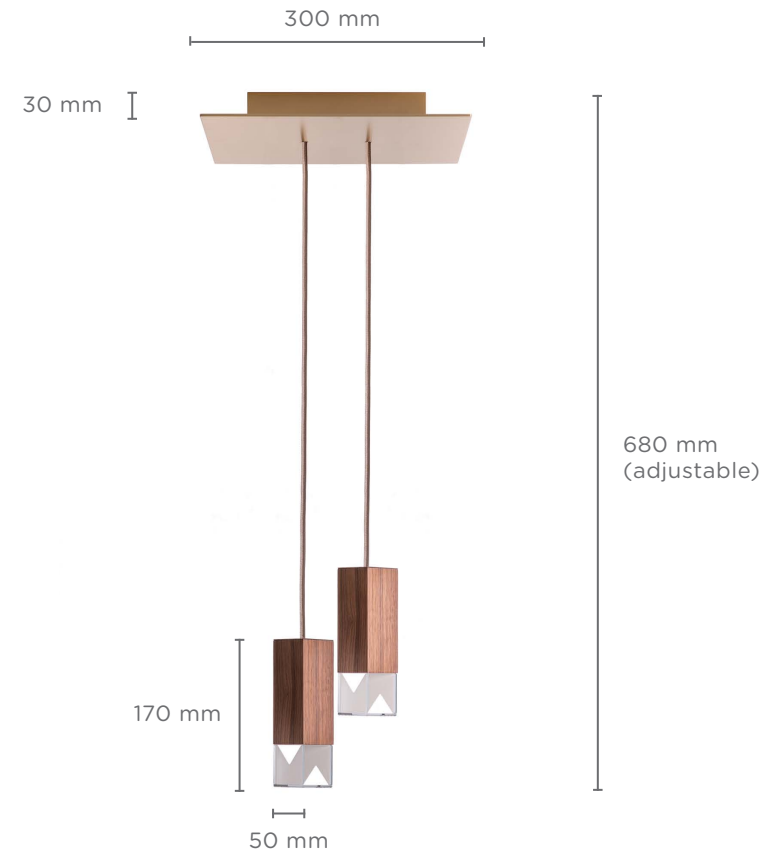
Voltage: 220-240v
110-120v available upon request

Certifications: CE

Weight: Approx. 4 Kgs

Supplied accessories:

Adjustable fabric cable per lamp:
2x0,75 Ø 6,2mm min. lenght: 2m
Mounting kit: screws (4x) UX Fischer
Ø 6mm x 30mm, (1x) Anchor Fischer





FORMAMINIMA

/TECHNICAL
SPECIFICATIONS

-
THE
CHANDELIER
SERIES

LAMP
/ONE

**BRASS DUET
CHANDELIER**

L1-S-BS-C2

Indoor decorative lighting, handmade in Italy

Materials:

Body lamps and ceiling rose of solid brass, satin matt finish
Crystal diffusers, Limoges biscuit-finish porcelain sheets

Dimensions:

h 680 (adjustable) x 300 x 300 mm
Ceiling rose: h 30 300 x 300 mm

Made to order



www.formaminima.com
info.formaminima@gmail.com
Trieste, Italy



FORMAMINIMA

/TECHNICAL
SPECIFICATIONS

-
THE
CHANDELIER
SERIES

LAMP
/ONE

**BRASS DUET
CHANDELIER**

L1-S-BS-C2

Light source supplied per lamp:

LED 1xG9 max 2.6W, 50-60Hz
G9 connection 320lm 2700K Rc 80

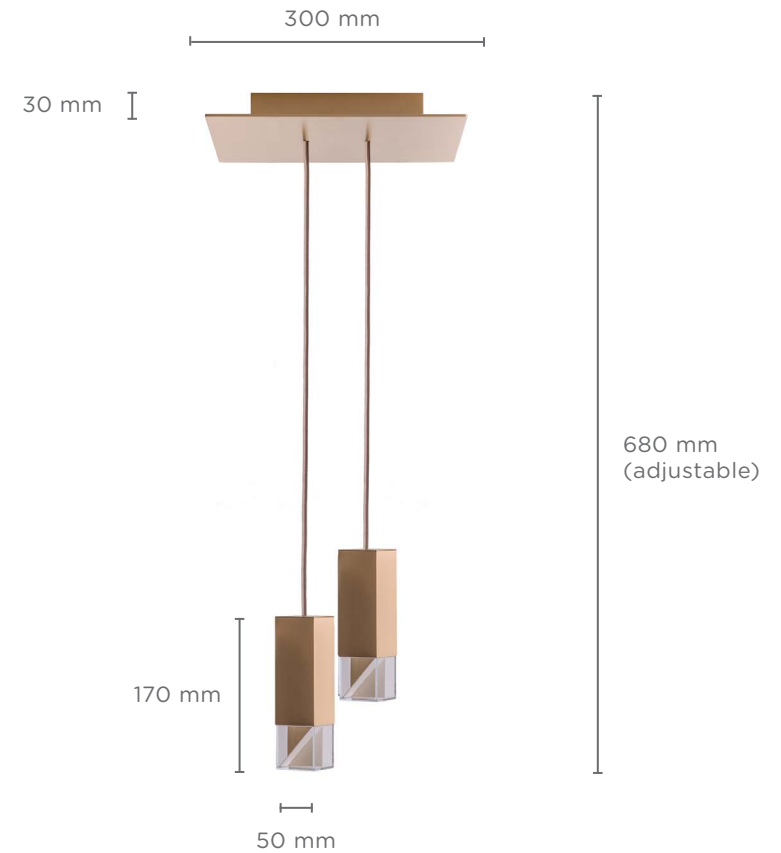
Voltage: 220-240v
110-120v available upon request

Certifications: CE

Weight: Approx. 5 Kgs

Supplied accessories:

Adjustable fabric cable per lamp:
2x0,75 Ø 6,2mm min. lenght: 2m
Mounting kit: screws (4x) UX Fischer
Ø 6mm x 30mm, (1x) Anchor Fischer





FORMAMINIMA

/TECHNICAL
SPECIFICATIONS
-
THE
CHANDELIER
SERIES

LAMP
/ONE

**MARBLE DUET
CHANDELIER**

L1-S-MCC-C2

Indoor decorative lighting, handmade in Italy

Materials:

Body lamps: handcrafted solid Calacatta marble, translucent, polished finish,
Crystal diffusers, Limoges biscuit-finish porcelain sheets,
Ceiling rose of solid brass, satin matt finish

Dimensions:

h 680 (adjustable) x 300 x 300 mm
Ceiling rose: h 30 300 x 300 mm

Made to order



www.formaminima.com
info.formaminima@gmail.com
Trieste, Italy



FORMAMINIMA

/TECHNICAL
SPECIFICATIONS

-
THE
CHANDELIER
SERIES

LAMP
/ONE

**MARBLE DUET
CHANDELIER**

L1-S-MCC-C2

Light source supplied per lamp:

LED 1xG9 max 2.6W, 50-60Hz
G9 connection 320lm 2700K Rc 80

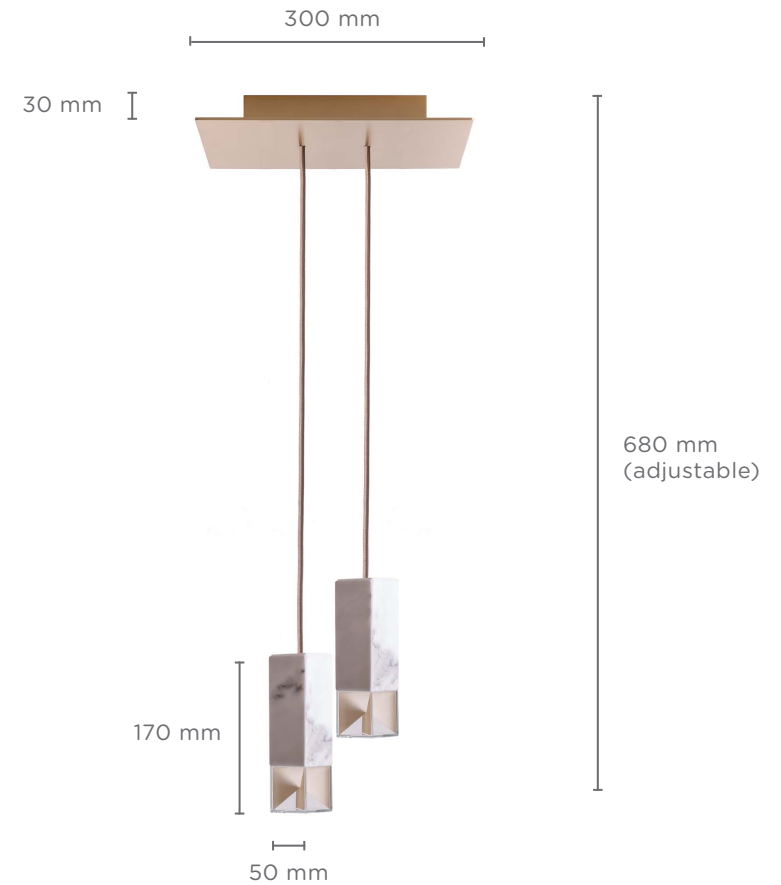
Voltage: 220-240v
110-120v available upon request

Certifications: CE

Weight: Approx. 5 Kgs

Supplied accessories:

Adjustable fabric cable per lamp:
2x0,75 Ø 6,2mm min. lenght: 2m
Mounting kit: screws (4x) UX Fischer
Ø 6mm x 30mm, (1x) Anchor Fischer





FORMAMINIMA

/TECHNICAL
SPECIFICATIONS

-
THE
CHANDELIER
SERIES

LAMP
/ONE

WOOD TRIO
CHANDELIER

L1-S-WW-C3

Indoor decorative lighting, handmade in Italy

Materials:

Body lamps: handcrafted solid Canaletto walnut wood, matt oil finish,
Crystal diffusers, Limoges biscuit-finish porcelain sheets.
Ceiling rose of solid brass, satin matt finish

Dimensions:

h 680 (adjustable) x 300 x 300 mm
Ceiling rose: h 30 300 x 300 mm

Made to order



www.formamina.com
info.formamina@gmail.com
Trieste, Italy



FORMAMINIMA

/TECHNICAL
SPECIFICATIONS

-
THE
CHANDELIER
SERIES

LAMP
/ONE

WOOD TRIO
CHANDELIER

L1-S-WW-C3

Light source supplied per lamp:

LED 1xG9 max 2.6W, 50-60Hz
G9 connection 320lm 2700K Rc 80

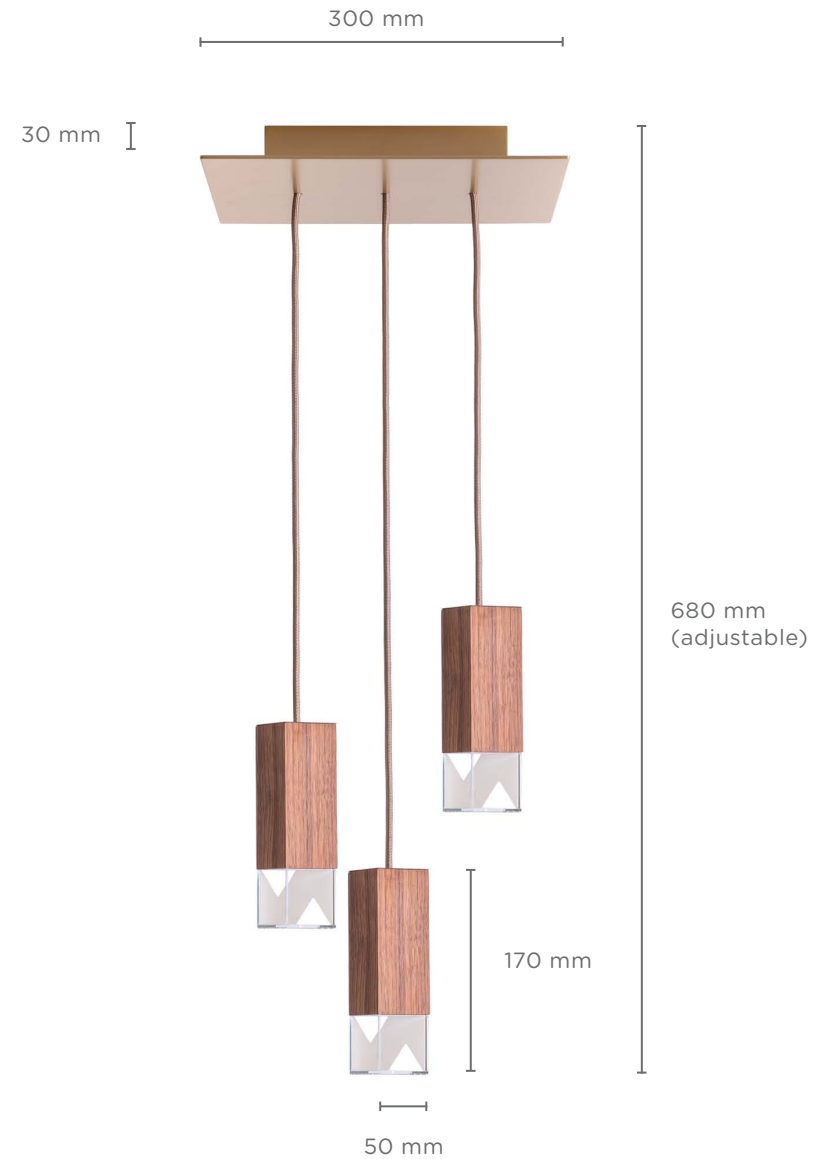
Voltage: 220-240v
110-120v available upon request

Certifications: CE

Weight: Approx. 3.6 Kgs

Supplied accessories:

Adjustable fabric cable per lamp:
2x0,75 Ø 6,2mm min. lenght: 2m
Mounting kit: screws (4x) UX Fischer
Ø 6mm x 30mm, (1x) Anchor Fischer





FORMAMINIMA

/TECHNICAL
SPECIFICATIONS

-
THE
CHANDELIER
SERIES

LAMP
/ONE

**BRASS TRIO
CHANDELIER**

L1-S-BS-C3

Indoor decorative lighting, handmade in Italy

Materials:

Body lamps and ceiling rose of solid brass, satin matt finish,
Crystal diffusers, Limoges biscuit-finish porcelain sheets.

Dimensions:

h 680 (adjustable) x 300 x 300 mm
Ceiling rose: h 30 300 x 300 mm

Made to order



www.formaminima.com
info.formaminima@gmail.com
Trieste, Italy



FORMAMINIMA

/TECHNICAL
SPECIFICATIONS

-
THE
CHANDELIER
SERIES

LAMP
/ONE

**BRASS TRIO
CHANDELIER**

L1-S-BS-C3

Light source supplied per lamp:

LED 1xG9 max 2.6W, 50-60Hz
G9 connection 320lm 2700K Rc 80

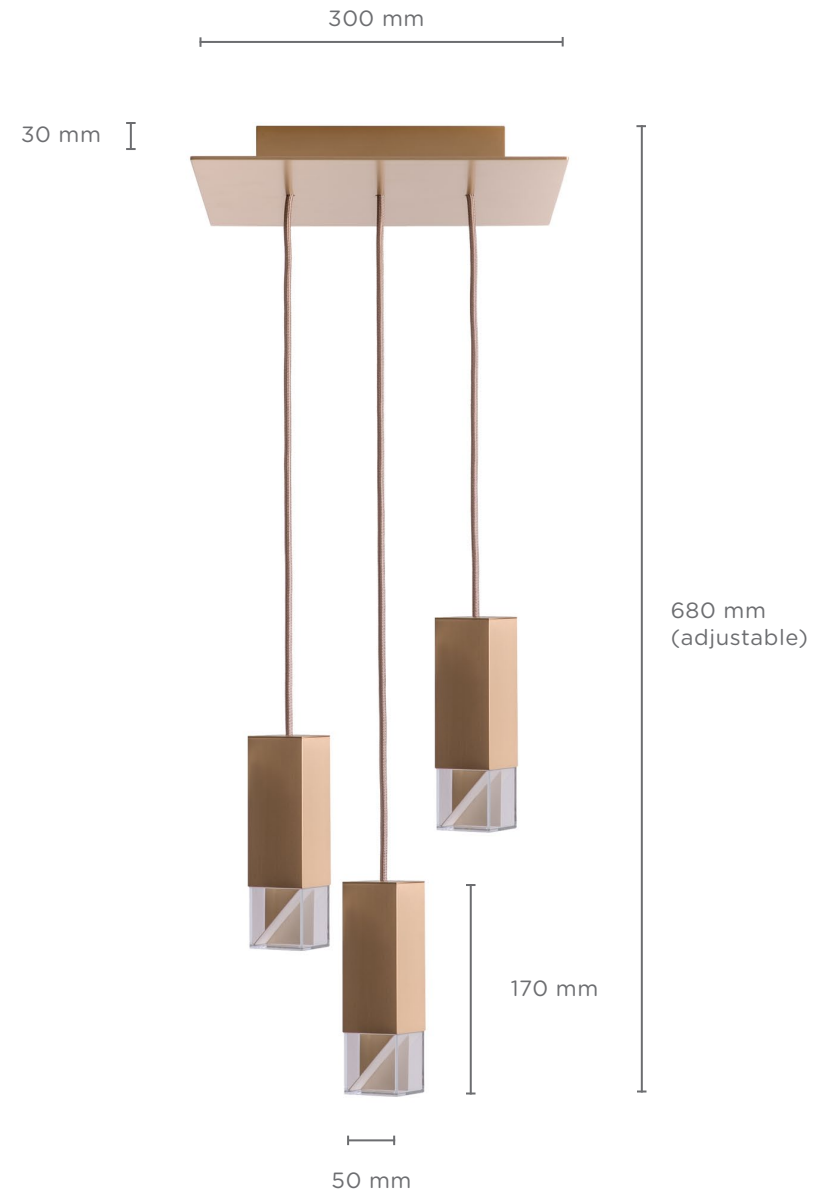
Voltage: 220-240v
110-120v available upon request

Certifications: CE

Weight: Approx. 6 Kgs

Supplied accessories:

Adjustable fabric cable per lamp:
2x0,75 Ø 6,2mm min. lenght: 2m
Mounting kit: screws (4x) UX Fischer
Ø 6mm x 30mm, (1x) Anchor Fischer





FORMAMINIMA

/TECHNICAL
SPECIFICATIONS
-
THE
CHANDELIER
SERIES

LAMP
/ONE

COLLECTION
CHANDELIER

L1-S-CC

Indoor decorative lighting, handmade in Italy

Materials:

Body lamps: handcrafted solid Calacatta marble, translucent, polished finish; solid brass matt satin finish; solid Canaletto walnut wood, matt oil finish.

Crystal diffusers, Limoges biscuit-finish porcelain sheets,

Ceiling rose of solid brass, satin finish

Dimensions:

h 680 (adjustable) x 300 x 300 mm

Ceiling rose: h 30 300 x 300 mm

Made to order





FORMAMINIMA

/TECHNICAL
SPECIFICATIONS

-
THE
CHANDELIER
SERIES

LAMP
/ONE

COLLECTION
CHANDELIER

L1-S-CC

Light source supplied per lamp:

LED 1xG9 max 2.6W, 50-60Hz
G9 connection 320lm 2700K Rc 80

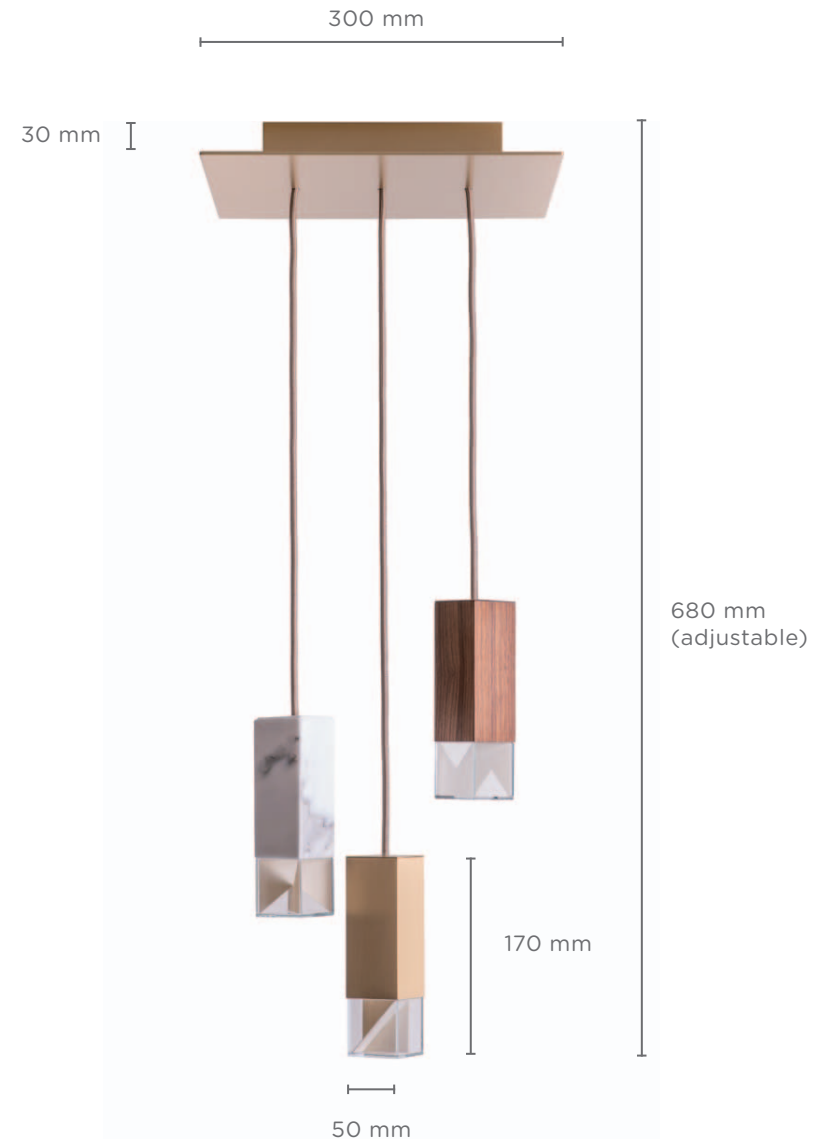
Voltage: 220-240v
110-120v available upon request

Certifications: CE

Weight: Approx. 4.2 Kgs

Supplied accessories:

Adjustable fabric cable per lamp:
2x0,75 Ø 6,2mm min. lenght: 2m
Mounting kit: screws (4x) UX Fischer
Ø 6mm x 30mm, (1x) Anchor Fischer





FORMAMINIMA

/TECHNICAL
SPECIFICATIONS

-
THE
CHANDELIER
SERIES

LAMP
/ONE

WOOD 6-LIGHT
CHANDELIER

L1-S-WW-C6

Indoor decorative lighting, handmade in Italy

Materials:

Body lamps: handcrafted solid Canaletto walnut wood, matt oil finish
Crystal diffusers, Limoges biscuit-finish porcelain sheets,
Ceiling rose of solid brass, satin matt finish

Dimensions:

h 930 (adjustable) x 300 x 300 mm
Ceiling rose: h 30 300 x 300 mm

Made to order



www.formaminima.com
info.formaminima@gmail.com
Trieste, Italy



FORMAMINIMA

/TECHNICAL
SPECIFICATIONS

-
THE
CHANDELIER
SERIES

LAMP
/ONE

WOOD 6-LIGHT
CHANDELIER

L1-S-WW-C6

Light source supplied per lamp:

LED 1xG9 max 2.6W, 50-60Hz
G9 connection 320lm 2700K Rc 80

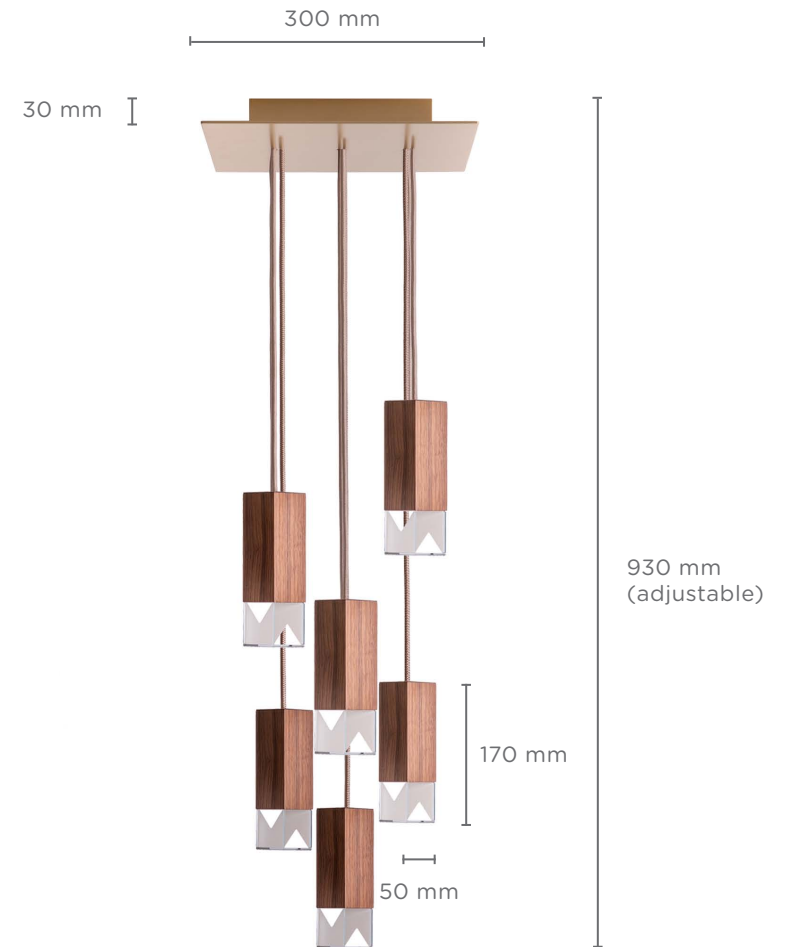
Voltage: 220-240v
110-120v available upon request

Certifications: CE

Weight: Approx. 4.2 Kgs

Supplied accessories:

Adjustable fabric cable per lamp:
2x0,75 Ø 6,2mm min. lenght: 2m
Mounting kit: screws (4x) UX Fischer
Ø 6mm x 30mm, (1x) Anchor Fischer





FORMAMINIMA

/TECHNICAL
SPECIFICATIONS

-
THE
CHANDELIER
SERIES

LAMP
/ONE

**BRASS 6-LIGHT
CHANDELIER**

L1-S-BS-C6

Indoor decorative lighting, handmade in Italy

Materials:

Body lamps and ceiling rose of solid brass, satin matt finish,
Crystal diffusers, Limoges biscuit-finish porcelain sheets,

Dimensions:

h 930 (adjustable) x 300 x 300 mm
Ceiling rose: h 30 300 x 300 mm

Made to order



www.formaminima.com
info.formaminima@gmail.com
Trieste, Italy



FORMAMINIMA

/TECHNICAL
SPECIFICATIONS

-
THE
CHANDELIER
SERIES

LAMP
/ONE

**BRASS 6-LIGHT
CHANDELIER**

L1-S-BS-C6

Light source supplied per lamp:

LED 1xG9 max 2.6W, 50-60Hz
G9 connection 320lm 2700K Rc 80

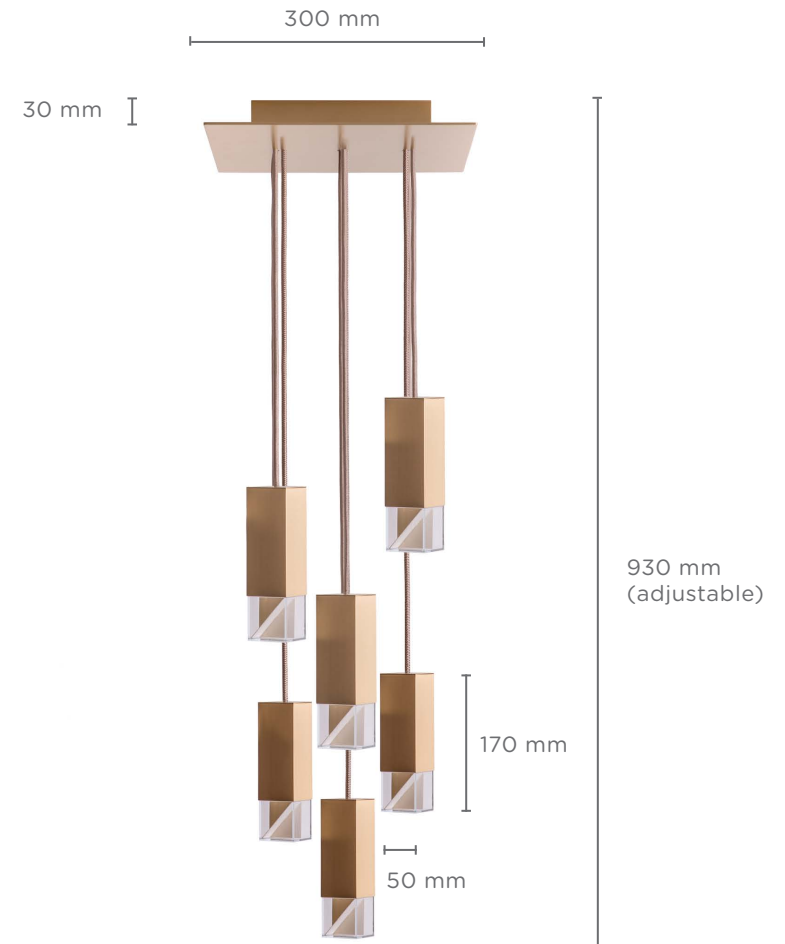
Voltage: 220-240v
110-120v available upon request

Certifications: CE

Weight: Approx. 6 Kgs

Supplied accessories:

Adjustable fabric cable per lamp:
2x0,75 Ø 6,2mm min. lenght: 2m
Mounting kit: screws (4x) UX Fischer
Ø 6mm x 30mm, (1x) Anchor Fischer





FORMAMINIMA

/TECHNICAL
SPECIFICATIONS
-
THE
CHANDELIER
SERIES

LAMP
/ONE

**MARBLE 6-LIGHT
CHANDELIER**

L1-S-MCC-C6

Indoor decorative lighting, handmade in Italy

Materials:

Body lamps: handcrafted solid Calacatta Marble, translucent, polished finish,
Crystal diffusers, Limoges biscuit-finish porcelain sheets,
Ceiling rose of solid brass, satin matt finish

Dimensions:

h 930 (adjustable) x 300 x 300 mm
Ceiling rose: h 30 300 x 300 mm

Made to order



www.formaminima.com
info.formaminima@gmail.com
Trieste, Italy



FORMAMINIMA

/TECHNICAL
SPECIFICATIONS

-
THE
CHANDELIER
SERIES

LAMP
/ONE

MARBLE 6-LIGHT
CHANDELIER

L1-S-MCC-C6

Light source supplied per lamp:

LED 1xG9 max 2.6W, 50-60Hz
G9 connection 320lm 2700K Rc 80

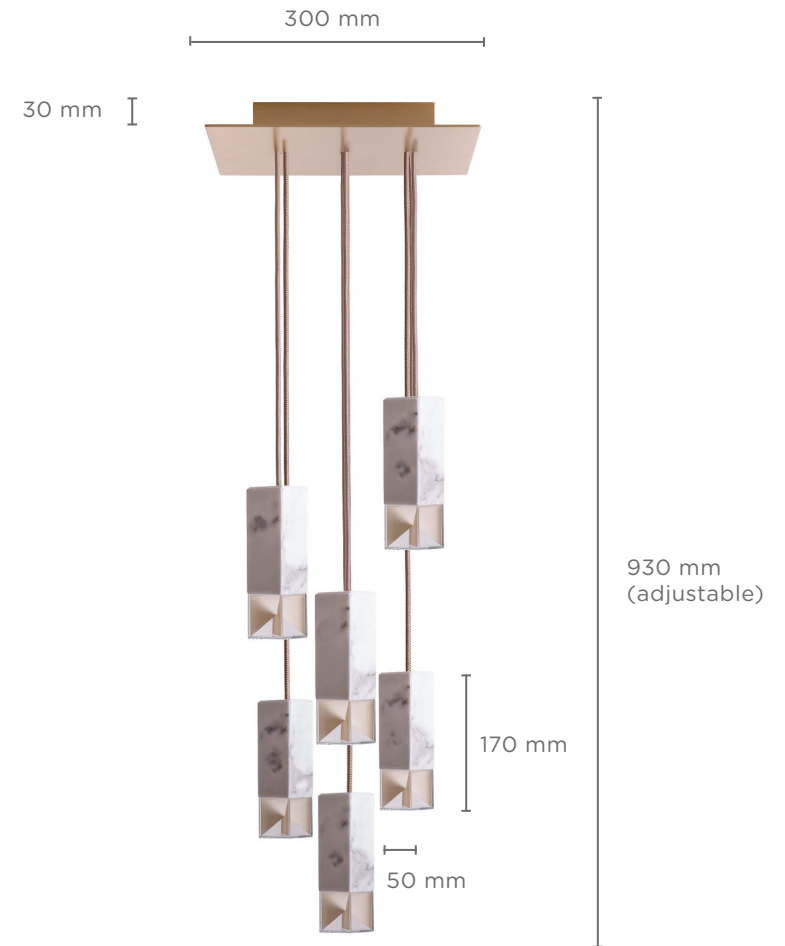
Voltage: 220-240v
110-120v available upon request

Certifications: CE

Weight: Approx. 6 Kgs

Supplied accessories:

Adjustable fabric cable per lamp:
2x0,75 Ø 6,2mm min. lenght: 2m
Mounting kit: screws (4x) UX Fischer
Ø 6mm x 30mm, (1x) Anchor Fischer





FORMAMINIMA

/TECHNICAL
SPECIFICATIONS
-
THE
CHANDELIER
SERIES

LAMP
/ONE

**WOOD 9-LIGHT
CHANDELIER**

L1-S-WW-C9

Indoor decorative lighting, handmade in Italy

Materials:

Body lamps: handcrafted solid walnut wood, matt oil finish
Crystal diffusers, Limoges biscuit-finish porcelain sheets,
Ceiling rose of solid brass, satin matt finish

Dimensions:

h 1.119 (adjustable) x 300 x 300 mm
Ceiling rose: h 30 300 x 300 mm

Made to order



www.formaminima.com
info.formaminima@gmail.com
Trieste, Italy



FORMAMINIMA

/TECHNICAL
SPECIFICATIONS

-
THE
CHANDELIER
SERIES

LAMP
/ONE

WOOD 9-LIGHT
CHANDELIER

L1-S-WW-C9

Light source supplied per lamp:

LED 1xG9 max 2.6W, 50-60Hz
G9 connection 320lm 2700K Rc 80

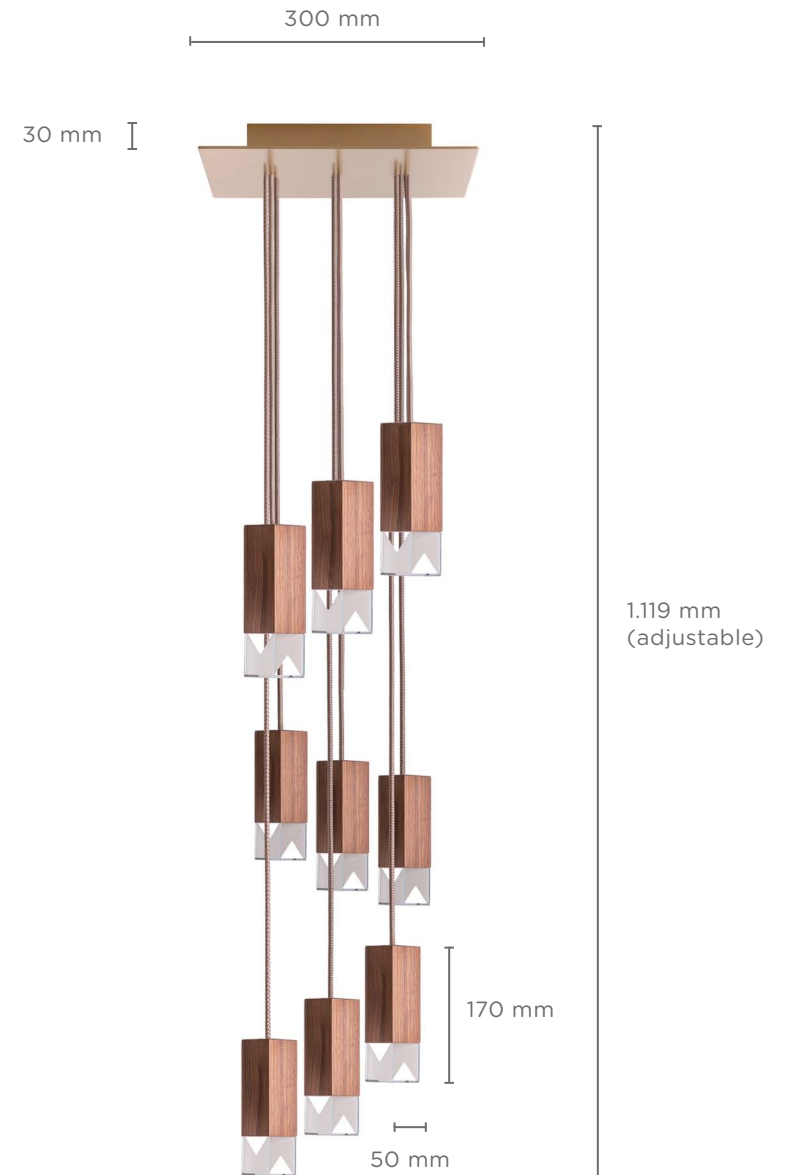
Voltage: 220-240v
110-120v available upon request

Certifications: CE

Weight: Approx. 4.8 Kgs

Supplied accessories:

Adjustable fabric cable per lamp:
2x0,75 Ø 6,2mm min. lenght: 2m
Mounting kit: screws (4x) UX Fischer
Ø 6mm x 30mm, (1x) Anchor Fischer





FORMAMINIMA

/TECHNICAL
SPECIFICATIONS

-
THE
CHANDELIER
SERIES

LAMP
/ONE

**BRASS 9-LIGHT
CHANDELIER**

L1-S-BS-C9

Indoor decorative lighting, handmade in Italy

Materials:

Body lamps and ceiling rose of solid brass, satin matt finish,
Crystal diffusers, Limoges biscuit-finish porcelain sheets

Dimensions:

h 1.119 (adjustable) x 300 x 300 mm
Ceiling rose: h 30 300 x 300 mm

Made to order



www.formaminima.com
info.formaminima@gmail.com
Trieste, Italy



FORMAMINIMA

/TECHNICAL
SPECIFICATIONS

-
THE
CHANDELIER
SERIES

LAMP
/ONE

**BRASS 9-LIGHT
CHANDELIER**

L1-S-BS-C9

Light source supplied per lamp:

LED 1xG9 max 2.6W, 50-60Hz
G9 connection 320lm 2700K Rc 80

Voltage: 220-240v
110-120v available upon request

Certifications: CE

Weight: Approx. 7.5 Kgs

Supplied accessories:

Adjustable fabric cable per lamp:
2x0,75 Ø 6,2mm min. lenght: 2m
Mounting kit: screws (4x) UX Fischer
Ø 6mm x 30mm, (1x) Anchor Fischer





FORMAMINIMA

/TECHNICAL
SPECIFICATIONS

-
THE
CHANDELIER
SERIES

LAMP
/ONE

**MARBLE 9-LIGHT
CHANDELIER**

L1-S-MCC-C9

Indoor decorative lighting, handmade in Italy

Materials:

Body lamps: handcrafted solid Calacatta marble, translucent, polished finish,
Crystal diffusers, Limoges biscuit-finish porcelain sheets,
Ceiling rose of solid brass, satin matt finish

Dimensions:

h 1.119 (adjustable) x 300 x 300 mm
Ceiling rose: h 30 300 x 300 mm

Made to order



www.formaminima.com
info.formaminima@gmail.com
Trieste, Italy



FORMAMINIMA

/TECHNICAL
SPECIFICATIONS

-
THE
CHANDELIER
SERIES

LAMP
/ONE

MARBLE 9-LIGHT
CHANDELIER

L1-S-MCC-C9

Light source supplied per lamp:

LED 1xG9 max 2.6W, 50-60Hz
G9 connection 320lm 2700K Rc 80

Voltage: 220-240v
110-120v available upon request

Certifications: CE

Weight: Approx. 7.5 Kgs

Supplied accessories:

Adjustable fabric cable per lamp:
2x0,75 Ø 6,2mm min. lenght: 2m
Mounting kit: screws (4x) UX Fischer
Ø 6mm x 30mm, (1x) Anchor Fischer

