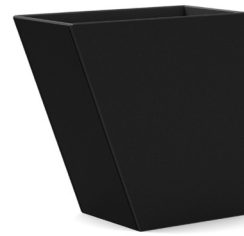




jut 24 & 18



jut slim 24 & 18



black: color code BL



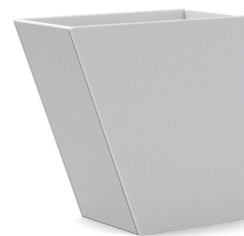
cloud: color code CW



leaf: color code LG



apple: color code AR



driftwood: color code DW



navy blue: color code NB

charcoal: color code CG

modular + expandable:
planter system

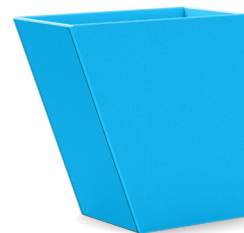


collection:
planter
material:
100% recycled
HDPE

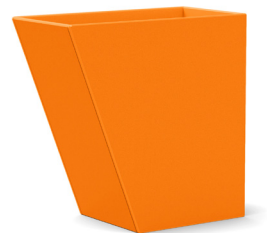
product details: see backside



flat pack shipped
some assembly required



sky: color code SB



sunset: color code OR



jut slim 18



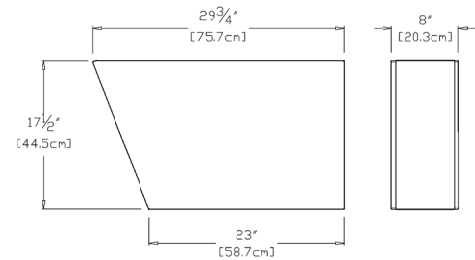
SKU: FC-TJS18-(color code)

dimensions:
width: 29.75" (75.7cm)
depth: 8" (20.3cm)
height: 17.5" (44.5cm)

weight:
24.5 lbs (11.1kg)



196
reclaimed
milk jugs



shipping dimensions: 30" x 20" x 6"
shipping weight: 29 lbs (13.2kg)

jut 18



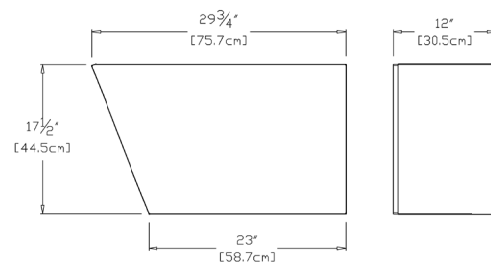
SKU: FC-TJ18-(color code)

dimensions:
width: 29.75" (75.7cm)
depth: 12" (30.5cm)
height: 17.5" (44.5cm)

weight:
29 lbs (13.2kg)



232
reclaimed
milk jugs



shipping dimensions: 30" x 5" x 24"
shipping weight: 33 lbs (15.0kg)

jut slim 24



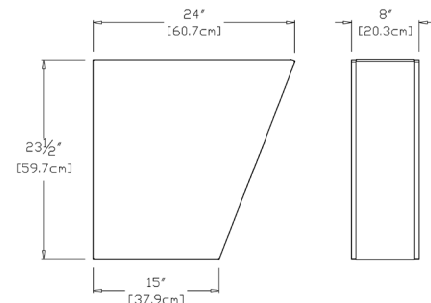
SKU: FC-TJS24-(color code)

dimensions:
width: 24" (60.7cm)
depth: 8" (20.3cm)
height: 23.5" (59.7cm)

weight:
24.5 lbs (11.1kg)



196
reclaimed
milk jugs



shipping dimensions: 26" x 26" x 6"
shipping weight: 29.5 lbs (13.4kg)

jut 24



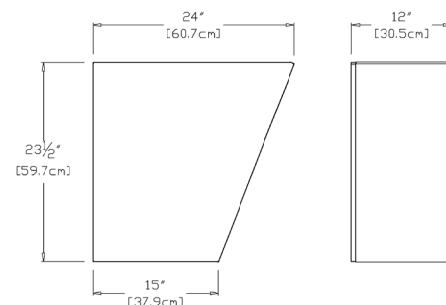
SKU: FC-TJ24-(color code)

dimensions:
width: 24" (60.7cm)
depth: 12" (30.5cm)
height: 23.5" (59.7cm)

weight:
29.5 lbs (13.4kg)



236
reclaimed
milk jugs



shipping dimensions: 26" x 26" x 6"
shipping weight: 34.5 lbs (15.6kg)



slope 24 & 18



slope slim 24 & 18



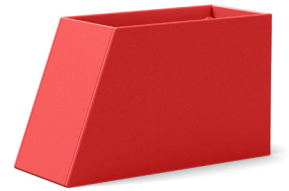
black: color code BL



cloud: color code CW



leaf: color code LG



apple: color code AR



driftwood: color code DW



navy blue: color code NB

charcoal: color code CG

modular + expandable:
planter system

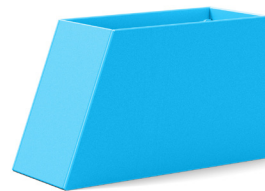


collection:
planter
material:
100% recycled
HDPE

product details: see backside



flat pack shipped
some assembly required



sky: color code SB



sunset: color code OR



slope slim 18



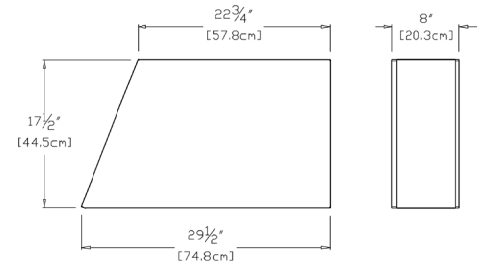
SKU: FC-TSS18-(color code)

dimensions:
width: 29.5" (74.8cm)
depth: 8" (20.3cm)
height: 17.5" (44.5cm)

weight:
24.5 lbs (11.1kg)



196
reclaimed
milk jugs



shipping dimensions: 30" x 20" x 6"
shipping weight: 29 lbs (13.2kg)

slope 18



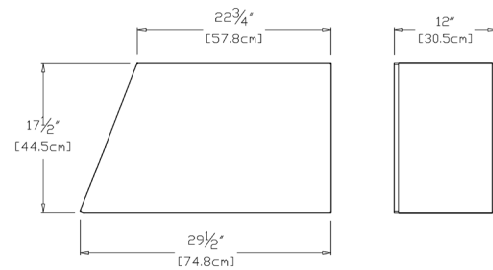
SKU: FC-TS18-(color code)

dimensions:
width: 29.5" (74.8cm)
depth: 12" (30.5cm)
height: 17.5" (44.5cm)

weight:
29.5 lbs (13.4kg)



232
reclaimed
milk jugs



shipping dimensions: 30" x 20" x 6"
shipping weight: 32.5 lbs (14.7kg)

slope slim 24



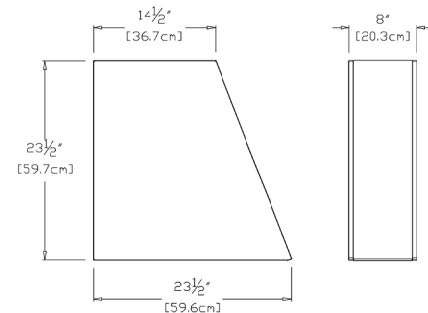
SKU: FC-TSS24-(color code)

dimensions:
width: 23.5" (59.6cm)
depth: 8" (20.3cm)
height: 23.5" (59.7cm)

weight:
24.5 lbs (11.1kg)



196
reclaimed
milk jugs



shipping dimensions: 28" x 4" x 24"
shipping weight: 28 lbs (12.7kg)

slope 24



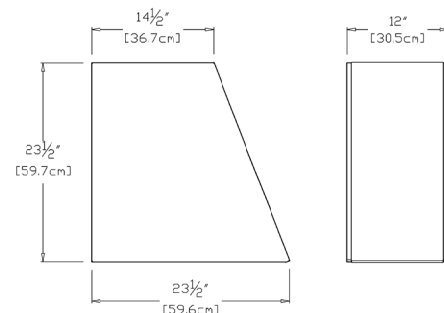
SKU: FC-TS24-(color code)

dimensions:
width: 23.5" (59.6cm)
depth: 12" (30.5cm)
height: 23.5" (59.7cm)

weight:
29.5 lbs (13.4kg)



236
reclaimed
milk jugs



shipping dimensions: 28" x 4" x 24"
shipping weight: 34 lbs (15.4kg)



square 18, 24, 30



rectangle 24 and slim 24

charcoal: color code CG

modular + expandable:
planter system



collection:
planter

material:
100% recycled
HDPE

product details: see backside



flat pack shipped
some assembly required



black: color code BL



cloud: color code CW



leaf: color code LG



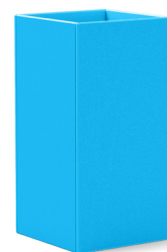
apple: color code AR



driftwood: color code DW



navy blue: color code NB



sky: color code SB



sunset: color code OR



square 18



SKU: FC-TSQ18-(color code)

dimensions:

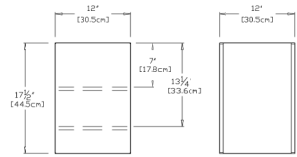
width: 12" (30.5cm)
depth: 12" (30.5cm)
height: 17.5" (44.5cm)

weight:

16.5 lbs (7.5kg)



132 reclaimed milk jugs



shipping dimensions: 18" x 14" x 4"
shipping weight: 18.5 lbs (8.4kg)

square 24



SKU: FC-TSQ24-(color code)

dimensions:

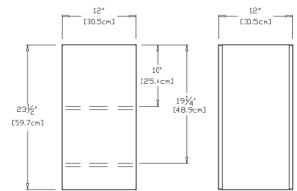
width: 12" (30.5cm)
depth: 12" (30.56cm)
height: 23.5" (59.7cm)

weight:

21.5 lbs (9.8kg)



172 reclaimed milk jugs



shipping dimensions: 24" x 14" x 4"
shipping weight: 23.5 lbs (10.7kg)

square 30



SKU: FC-TSQ30-(color code)

dimensions:

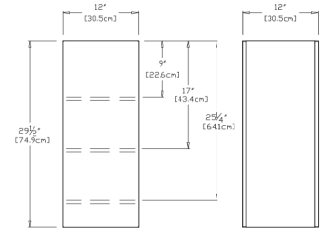
width: 12" (30.5cm)
depth: 12" (30.56cm)
height: 30" (74.9cm)

weight:

26.5 lbs (11.8kg)



212 reclaimed milk jugs



shipping dimensions: 36" x 12" x 4"
shipping weight: 29 lbs (13.2kg)

rectangle slim 24



SKU: FC-TRS24-(color code)

dimensions:

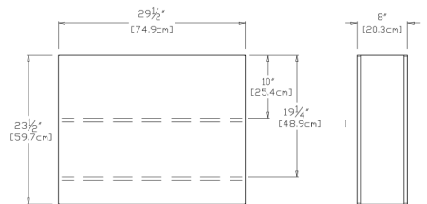
width: 29.5" (74.9cm)
depth: 8" (20.3cm)
height: 23.5" (59.7cm)

weight:

34 lbs. (15.4kg)



272 reclaimed milk jugs



shipping dimensions: 28" x 4" x 32"
shipping weight: 38 lbs (17.2kg)

rectangle 24



SKU: FC-TR24-(color code)

dimensions:

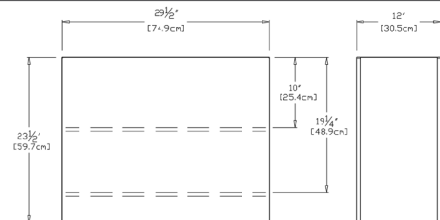
width: 29.5" (74.9cm)
depth: 12" (30.5cm)
height: 23.5" (59.7cm)

weight:

39.5 lbs. (17.9kg)



316 reclaimed milk jugs



shipping dimensions: 28" x 4" x 32"
shipping weight: 45 lbs. (20.4kg)

