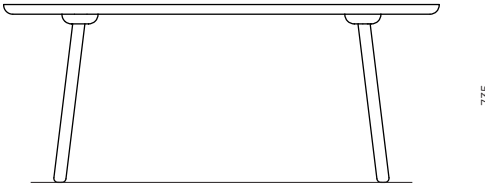
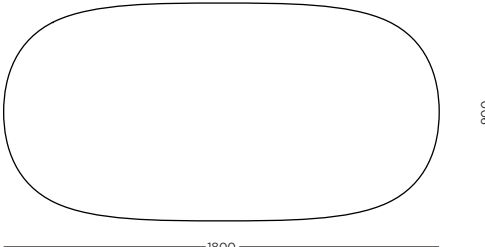






PRODUCT NAME Naïve Dining Table Ndin1800	DESIGNER etc.etc.	BRAND EMKO
SIDE VIEW 		DIMENSIONS & WEIGHTS General Dimensions: H.735, W.1800, D.900 mm, 59 kg 2 packages: Desktop: H.140, W.1900, D.1000 mm, 58 kg Legs: H.310, W.1090, D.860 mm, 11 kg
TOP VIEW 		

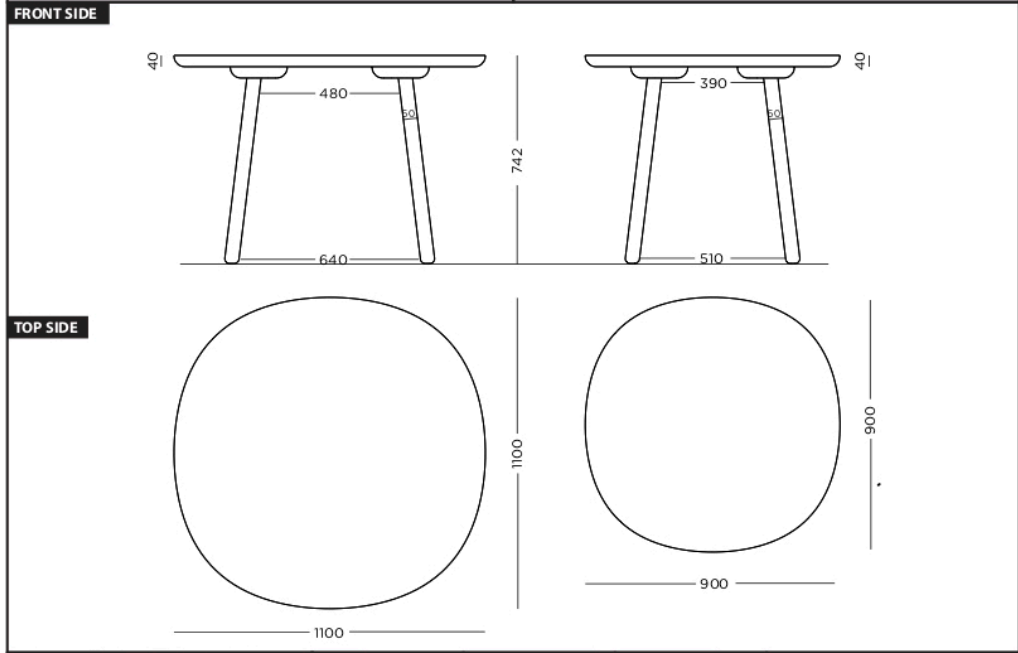
	CODE Ndin1800ash	DESKTOP-FINISH Solid ash, oiled	LEGS-FINISH Solid ash, oiled		CODE Ndin1800black	DESKTOP-FINISH Solid ash, bottom painted, top oiled	LEGS-FINISH Solid ash, painted
	CODE Ndin1800grey	DESKTOP-FINISH Solid ash, bottom painted, top oiled	LEGS-FINISH Solid ash, painted				

PRODUCT DETAILS	
Assembly	Partial assembly required
Instruction Included	Yes
Wood	Solid ash
Finish - For exact information please take a look according the model	
Paint	Polyurethane
Felt pads	8 pcs.
Package	2 pcs.
Guarantee	24 months



PRODUCER 	UAB EMKO Company no.: 302433715 VAT no.: LT100004950210 Address: Čiobiškio 31-31, Vilnius LT-07187, Lithuania	SALES Agence pour la France DESIGNENVUE info@designenvue.com T +33 6 8856 7728
---	--	--

PRODUCT NAME Naive dining table	DESIGNER etc.etc.	BRAND EMKO
---	-----------------------------	----------------------



DIMENSIONS & WEIGHTS
General Dimensions :
H.742, W.1100, D.1100mm

2 packages:
desktop - H.70, W.1150, D.1150mm, 28kg
legs - H.350, W.380, D.800mm, 8 kg

General Dimensions :
H.742, W.900, D.900mm

2 packages:
desktop - H.70, W.950, D.950mm, 18kg
legs - H.350, W.380, D.800mm, 8 kg

	CODE	DESKTOP-FINISH	LEGS-FINISH		CODE	DESKTOP-FINISH	LEGS-FINISH
	Ndin1100ash	Solid ash, oiled	Solid ash, oiled		Ndin900ash	Solid ash, oiled	Solid ash, oiled
	Ndin1100grey	Solid ash, bottom painted, top oiled	Solid ash, painted		Ndin900grey	Solid ash, bottom painted, top oiled	Solid ash, painted
	Ndin1100black	Solid ash, bottom painted, top oiled	Solid ash, painted		Ndin900black	Solid ash, bottom painted, top oiled	Solid ash, painted

PRODUCT DETAILS

Assembly	Partial assembly required
Instruction Included	Yes
Wood	Solid ash
Finish - For exact information please take a look according the model	
Paint	Polyurethane
Felt pads	8 pcs.
Package	2 pcs.
Guarantee	24 months



PRODUCER 	UAB EMKO Company no.: 302433715 VAT no.: LT100004950210 Address: Čiobiškio 31-31, Vilnius LT-07187, Lithuania	SALES Agence pour la France DESIGNENVUE info@designenvue.com T +33 06 8856 7728
---------------------	--	---